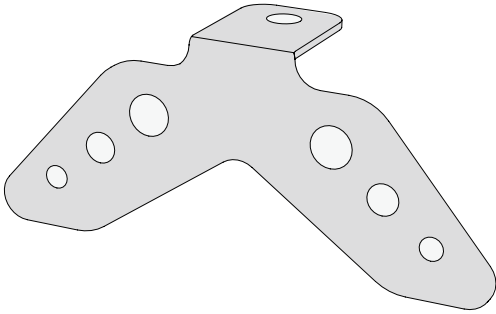


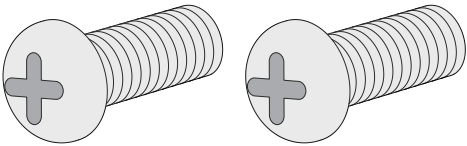
Installation Guide for the Fishtail Bracket

Installation Diagrams

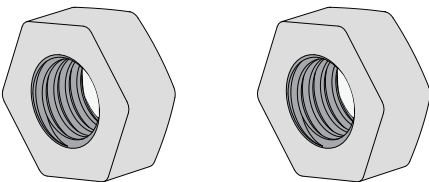
1 x Fishtail bracket



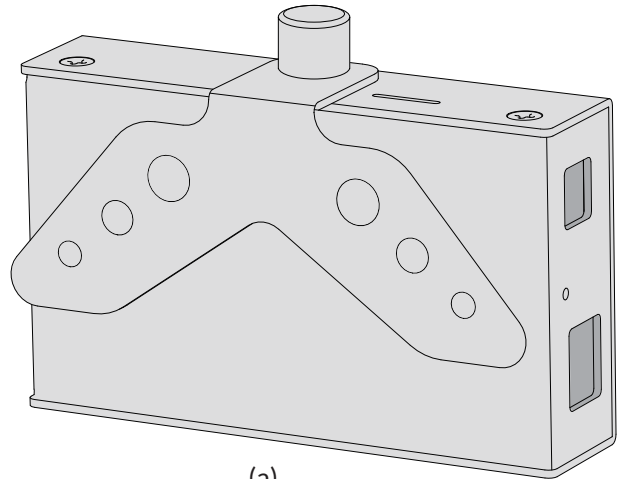
2 x M4 screws (12mm)



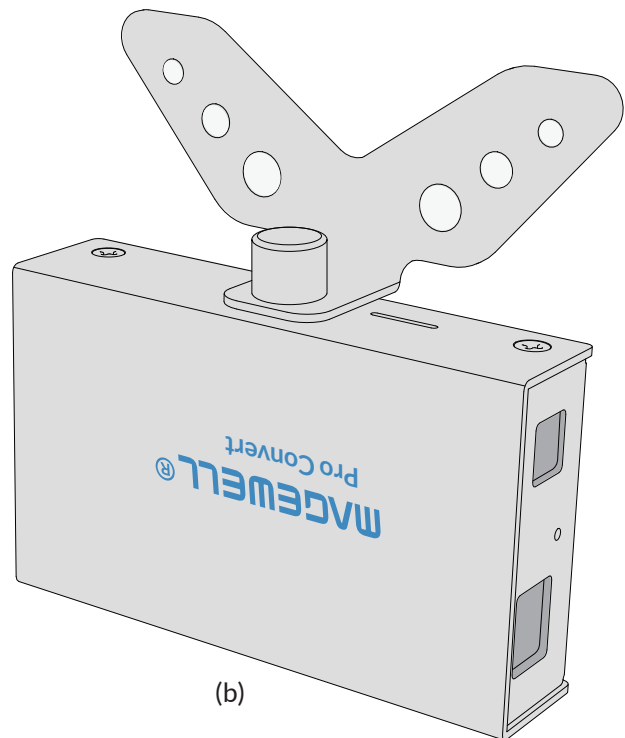
2 x M4 nuts



Step 1: Securely install the fishtail bracket onto the device referring to the two diagrams below.

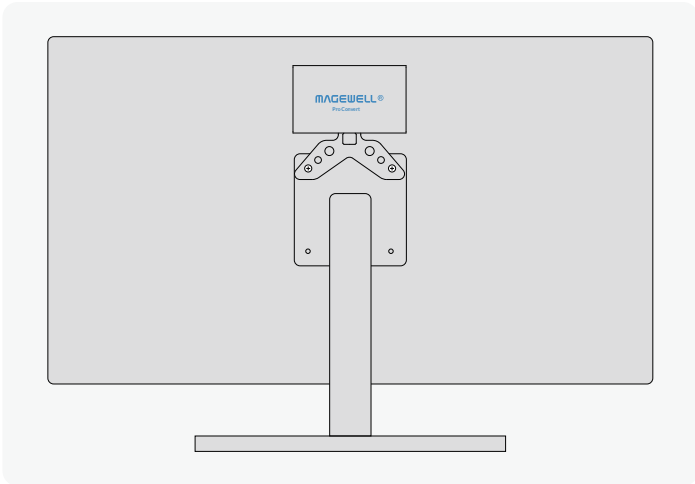


(a)

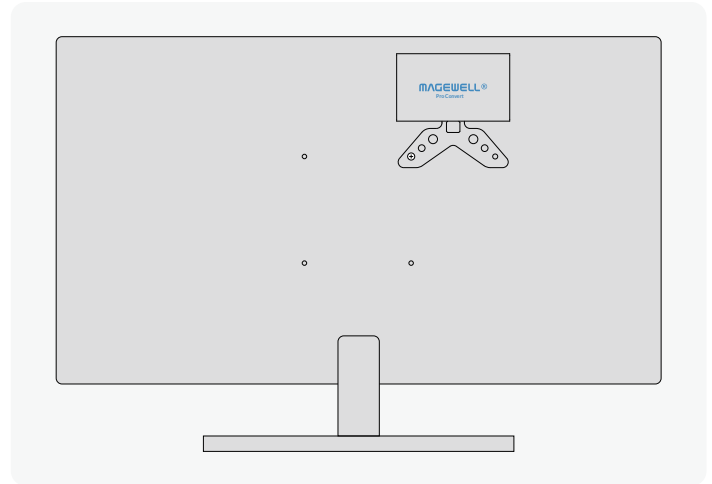


(b)

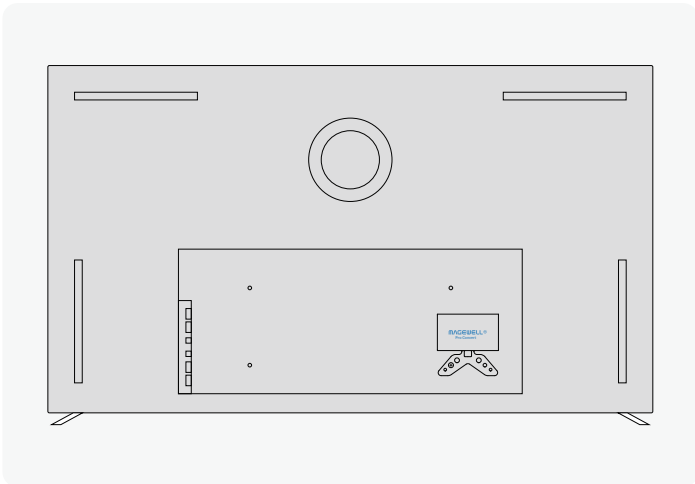
Step 2: Securely mount the assembly onto the designated location.



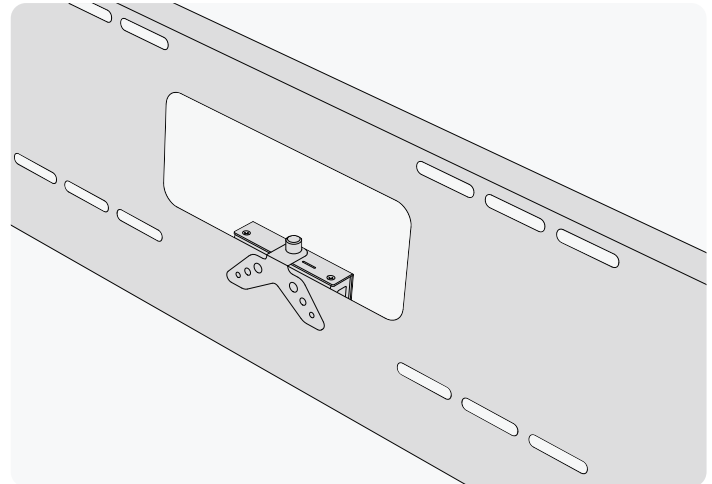
Mount the bracket to a VESA mount.



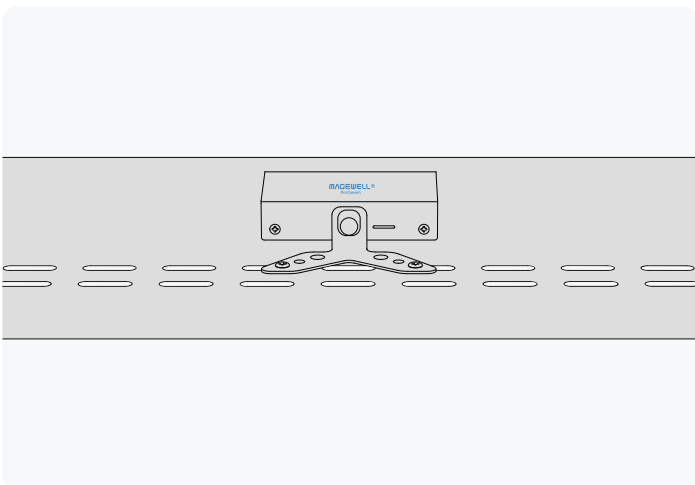
Mount the bracket to a monitor with VESA holes or cradle mounting holes.



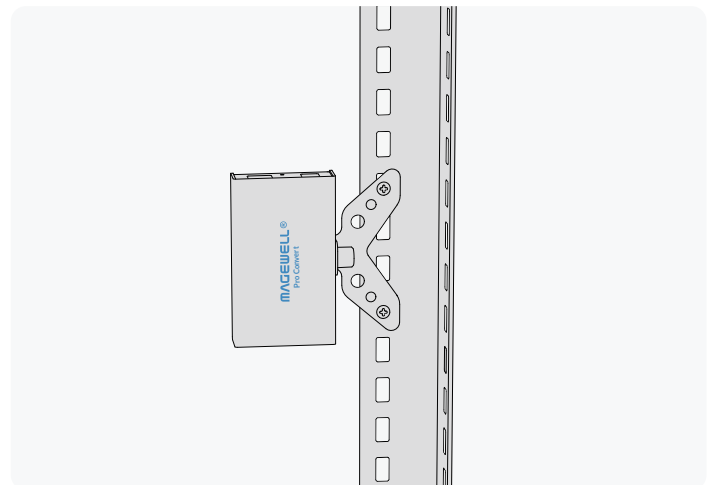
Mount the bracket to a TV.



Mount the bracket on the back of your monitor or any convenient locations.



Fixed horizontally on the rack.



Fixed vertically on the rack.